

INDICE	TABLE OF CONTENT	INDEX	INHALT	
			TC 102 hydro	TCP 122 hydro

Mod. 1997 **000.1**

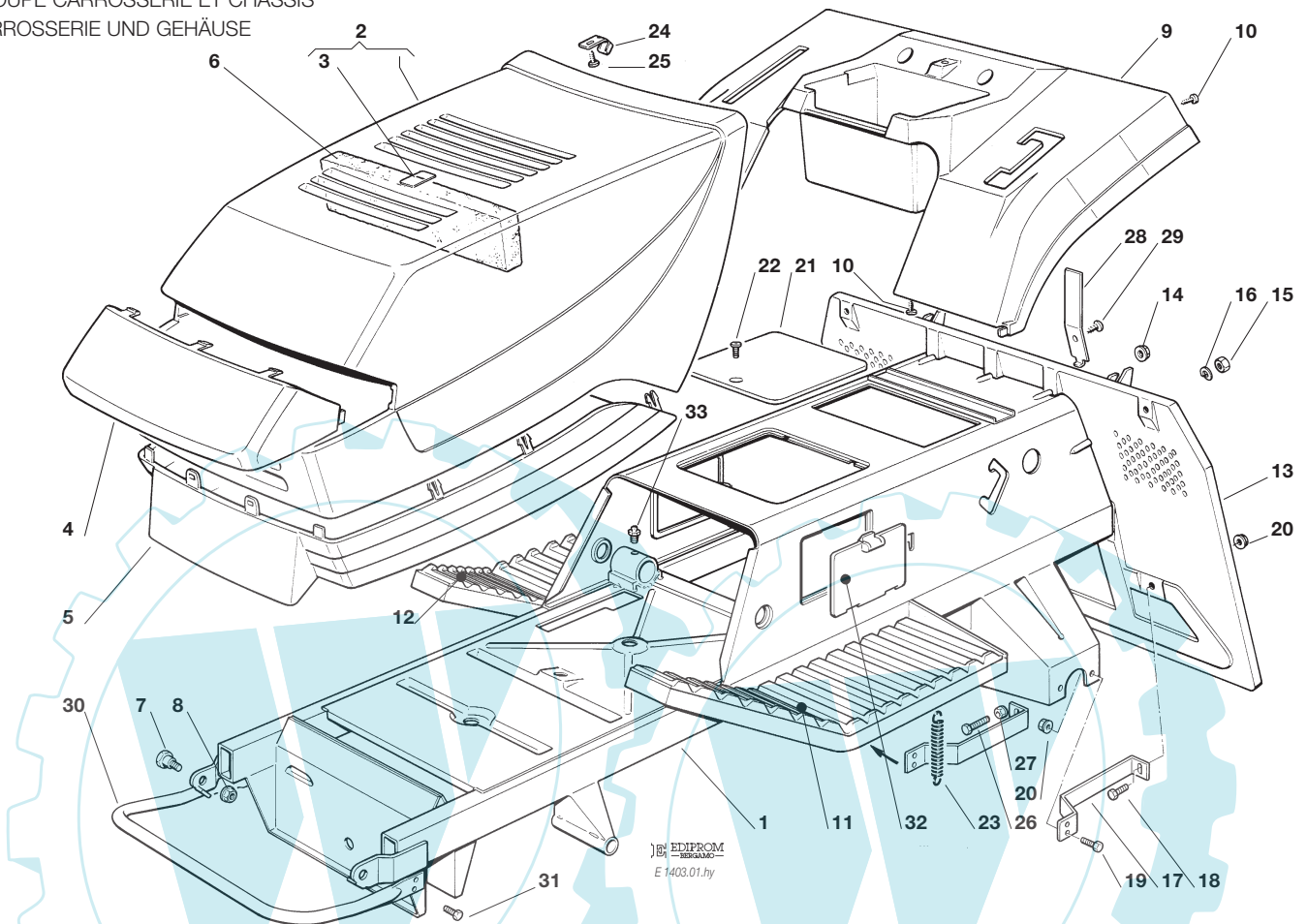
GRUPPO CARROZZERIA E CHASSIS BODY AND CHASSIS GROUP GROUPE CARROSSERIE ET CHASSIS KARROSSERIE UND GEHÄUSE .....	<b>001.1</b>	<b>001.1</b>
GRUPPO COMANDO CAMBIO E FRENO DRIVE AND BRAKE CONTROL UNIT GROUPE COMMANDE TRANSMISSION ET FREIN STEUERUNGSGRUPPE FÜR GETRIEBE UND BREMSE .....	<b>004.1</b>	<b>004.1</b>
GRUPPO CAMBIO E TRASMISSIONE DRIVE UNIT GROUPE TRANSMISSION GETRIEBEGRUPPE .....	<b>006.1</b>	<b>006.1</b>
GRUPPO PARTI ELETTRICHE ELECTRICAL PARTS GROUP GROUPE PARTIES ELECTRIQUES ELETRISCHETEILE .....	<b>012.1</b>	<b>012.1</b>

**Elenco parti varianti rispetto a TC(P) 102e TC(P) 122:**  
**List of variations of parts compared to TC(P) 102 and TC(P) 122:**  
**Liste des pièces variant par rapport à TC(P) 102 et TC(P) 122:**  
**Liste der abweichenden Teile in Bezug auf TC(P) 102 und TC(P) 122:**

Pos. Nr.	Codice Kodex Code	Description		Q.tà Q.ty Q.té Menge
		Descrizione	Description	
<b>002</b>				
8	25120153/0	CRUSCOTTO COMANDI	DASHBOARD	1
<b>007</b>				
19	82004605/0	FILO SOLLEVAMENTO SINISTRO	LIFTING WIRE - LEFT	1
<b>011</b>				
33	25033018/0	ASTA BLOCCAGGIO	LOCKING ROD	1

GRUPPO CARROZZERIA E CHASSIS  
BODY AND CHASSIS GROUP  
GROUPE CARROSSERIE ET CHASSIS  
KARROSSERIE UND GEHÄUSE

Mod. 1997 **001.1**

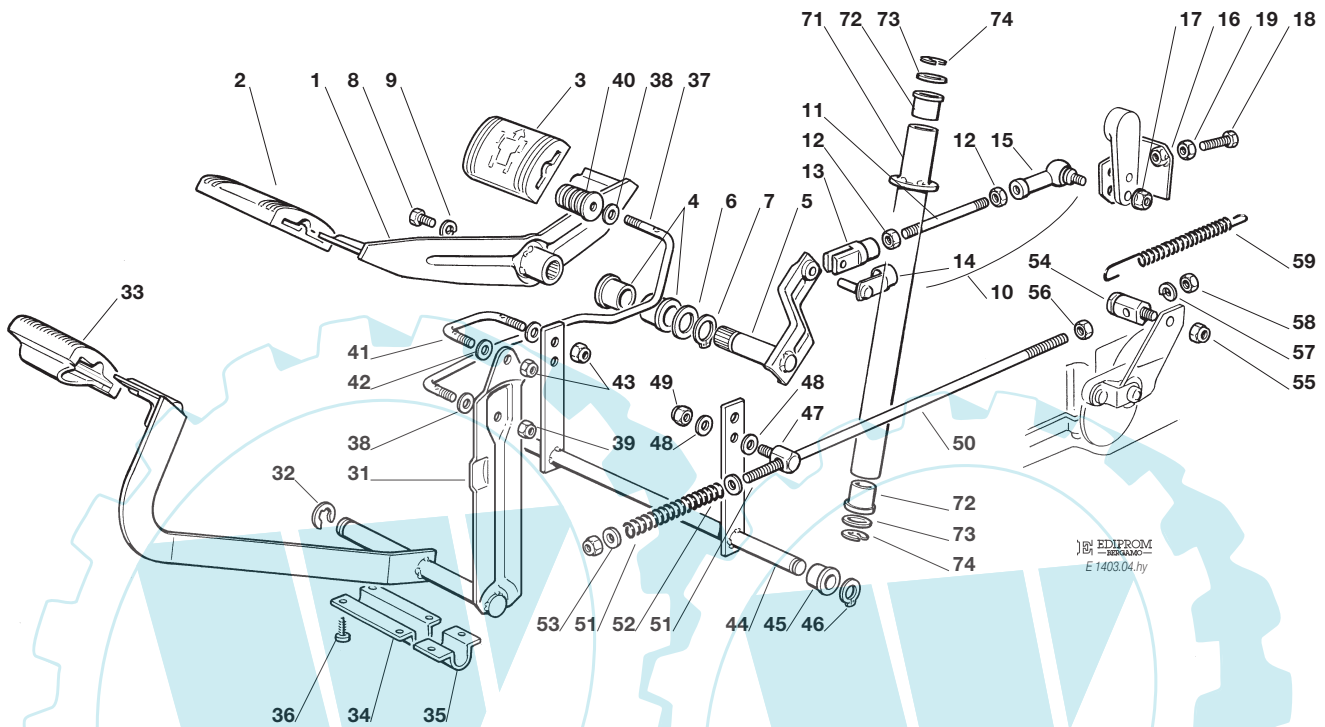


Pos. Nr.	Codice Kodex Code	Descrizione	Description	Description	Beschreibung	Q.tà Q.ty Q.té Menge
1	82800023/0	TELAIO	CHASSIS	CHASSIS	RAHMENSATZ	1
2	☛	COFANO SUPER. (TC)	UPPER ENGINE HOOD (TC)	CAPOT SUPERIEURE (TC)	OBERHAUBESATZ (TC)	1
	82076801/1	ROSSO	RED	ROUGE	ROT	
	82076804/0	VERDE	GREEN	VERT	GRÜN	
	82076805/0	GIALLO	YELLOW	JAUNE	GELB	
	82076807/0	BLU	BLUE	BLEU	BLAU	
	☛	COFANO SUPER. (TCP)	UPPER ENGINE HOOD (TCP)	CAPOT SUPERIEURE (TCP)	OBERHAUBESATZ (TCP)	1
	82076840/0	ROSSO	RED	ROUGE	ROT	
	82076842/0	VERDE	GREEN	VERT	GRÜN	
	82076844/0	GIALLO	YELLOW	JAUNE	GELB	
	82076846/0	BLU	BLUE	BLEU	BLAU	
3	☛	PIASTRINA (TC)	PLATE (TC)	PLAQUE (TC)	PLATTE (TC)	1
	25547016/1	ROSSA	RED	ROUGE	ROT	
	25547015/0	VERDE	GREEN	VERT	GRÜN	
	25547014/0	GIALLA	YELLOW	JAUNE	GELB	
	25547024/0	BLU	BLUE	BLEU	BLAU	
	☛	PIASTRINA (TCP)	PLATE (TCP)	PLAQUE (TCP)	PLATTE (TCP)	1
	25547025/0	ROSSA	RED	ROUGE	ROT	
	25547026/0	VERDE	GREEN	VERT	GRÜN	
	25547027/0	GIALLA	YELLOW	JAUNE	GELB	
	25547028/0	BLU	BLUE	BLEU	BLAU	
4	25410858/0	MASCHERINA (TC)	GRILL (TC)	PANNEAU (TC)	SCHUTZ (TC)	1
	25410860/0	MASCHERINA DX (TCP)	RIGHT GRILL (TCP)	PANNEAU DROITE (TCP)	RECHTE SCHUTZ (TCP)	1
	25410861/0	MASCHERINA SX (TCP)	LEFT GRILL (TCP)	PANNEAU GAUCHE (TCP)	LINKE SCHUTZ (TCP)	1
5	25076802/0	COFANO INFERIORE (TC)	LOWER ENGINE HOOD (TC)	CAPOT INFERIEURE (TC)	UNTERHAUBESATZ (TC)	1
	25076808/0	COFANO INFERIORE (TCP)	LOWER ENGINE HOOD (TCP)	CAPOT INFERIEURE (TCP)	UNTERHAUBESATZ (TCP)	1

Pos. Nr.	Codice Kodex Code	Descrizione	Description	Description	Beschreibung	Q.tà Q.ty Q.té Menge
6	25730000/0	SEPARATORE ASPIRAZ. ( <b>TC</b> - 15,5 - 16 HP B&S)	INTAKE SEPARATOR ( <b>TC</b> - 15,5 - 16 HP B&S)	SEPARATEUR ASPIRATIONS ( <b>TC</b> - 15,5 - 16 HP B&S)	AUGENABSCHNEIDER ( <b>TC</b> - 15,5 - 16 HP B&S)	1
	25730003/0	SEPARATORE ASPIRAZ. ( <b>TC</b> - 18 HP KOHLER)	INTAKE SEPARATOR ( <b>TC</b> - 18 HP KOHLER)	SEPARATEUR ASPIRATIONS ( <b>TC</b> - 18 HP KOHLER)	AUGENABSCHNEIDER ( <b>TC</b> - 18 HP KOHLER)	1
	25730002/0	SEPARATORE ASPIRAZ. ( <b>TC</b> - 15,5 - 16 HP B&S)	INTAKE SEPARATOR ( <b>TC</b> - 15,5 - 16 HP B&S)	SEPARATEUR ASPIRATIONS ( <b>TC</b> - 15,5 - 16 HP B&S)	AUGENABSCHNEIDER ( <b>TC</b> - 15,5 - 16 HP B&S)	1
7	25510015/1	PERNO	PIN	PIVOT	BOLZEN	2
	25510023/1	PERNO (18 HP KOHLER)	PIN (18 HP KOHLER)	PIVOT (18 HP KOHLER)	BOLZEN (18 HP KOHLER)	2
8	12293201/0	DADO	NUT	ECROU	MUTTER	2
	12436050/0	PIASTRINA ( <b>TC</b> - 18 HP KOHLER)	PLATE ( <b>TC</b> - 18 HP KOHLER)	PLAQUETTE ( <b>TC</b> - 18 HP KOHLER)	PLATTE ( <b>TC</b> - 18 HP KOHLER)	2
9	☛	COPERTURA RUOTE ( <b>TC</b> )	WHEELS COVER ( <b>TC</b> )	COUVRE-ROUES ( <b>TC</b> )	RADENKAPPE ( <b>TC</b> )	1
	25110157/1	ROSSA	RED	ROUGE	ROT	
	25110159/0	VERDE	GREEN	VERT	GRÜN	
	25110161/0	GIALLO	YELLOW	JAUNE	GELB	
	25110163/0	BLU	BLUE	BLEU	BLAU	
	☛	COPERTURA RUOTE ( <b>TC</b> )	WHEELS COVER ( <b>TC</b> )	COUVRE-ROUES ( <b>TC</b> )	RADENKAPPE ( <b>TC</b> )	1
	25110170/0	ROSSA	RED	ROUGE	ROT	
	25110171/0	VERDE	GREEN	VERT	GRÜN	
	25110172/0	GIALLO	YELLOW	JAUNE	GELB	
	25110173/0	BLU	BLUE	BLEU	BLAU	
10	12735402/0	VITE	SCREW	VIS	SCHRAUBE	4
11	25110260/1	COPRIPEDANA SX	LEFT FOOTBOARD COVER	COUVRE MARCHEPIED GAUCHE	LINKE FUSSBRETTDECKEL	1
12	25110268/0	COPRIPEDANA DX	RIGHT FOOTBOARD COVER	COUVRE MARCHEPIED DROITE	RECHTE FUSSBRETTDECKEL	1
13	82547001/3	PIASTRA POST.	REAR PLATE	PLAQUE POSTERIEURE	HINTERPLATTE	1
14	12293201/0	DADO	NUT	ECROU	MUTTER	5
15	12295200/0	DADO	NUT	ECROU	MUTTER	2
16	12585100/0	GROWER	GROWER	GROWER	GROWER	2
17	25650021/0	RINFORZO PIASTRA POST.	REAR PLATE STIFFENING	RENFORCEMENT PLAQUE POST.	HINTERPLATTEVERSTA- ERKUNG	2
18	12793102/0	VITE ( <b>TC</b> )	SCREW ( <b>TC</b> )	VIS ( <b>TC</b> )	SCHRAUBE ( <b>TC</b> )	2
18	12793102/0	VITE ( <b>TCP</b> )	SCREW ( <b>TCP</b> )	VIS ( <b>TCP</b> )	SCHRAUBE ( <b>TCP</b> )	1
19	12793102/0	VITE	SCREW	VIS	SCHRAUBE	2
20	12293201/0	DADO	NUT	ECROU	MUTTER	4
21	82597120/0	PORTINA	HANDHOLE	GRILLE	GITTER	1
22	12728440/0	VITE	SCREW	VIS	MUTTER	1
23	25430218/0	MOLLA	SPRING	RESSORT	FEDER	2
24	25430217/0	MOLLA AGGANCIAMENTO ( <b>TCP</b> )	COUPLING SPRING ( <b>TCP</b> )	RESSORT ACCROCHA ( <b>TCP</b> )	GEKUPPLUNGSFEDER ( <b>TCP</b> )	2
25	12728099/0	VITE ( <b>TCP</b> )	SCREW ( <b>TCP</b> )	VIS ( <b>TCP</b> )	SCHRAUBE ( <b>TCP</b> )	2
26	12691100/0	VITE ( <b>TCP</b> )	SCREW ( <b>TCP</b> )	VIS ( <b>TCP</b> )	SCHRAUBE ( <b>TCP</b> )	1
27	12293201/0	DADO ( <b>TCP</b> )	NUT ( <b>TCP</b> )	ECROU ( <b>TCP</b> )	MUTTER ( <b>TCP</b> )	1
28	25430228/0	MOLLA	SPRING	RESSORT	FEDER	1
29	12728440/0	VITE	SCREW	VIS	SCHRAUBE	1
30	82869006/0	PROTEZIONE SILENZIATORE	MUFFLER PROTECTION	PROTECTION SILENCIEUX	AUSPUFFSCHUTZ	1
31	12734995/0	VITE	SCREW	VIS	SCHRAUBE	4
32	25597121/0	PORTINA	HANDHOLE	GRILLE	GITTER	2
33	12379511/0	INGRASSATORE	GREASE DISPENSER	GRAISSEUR	FETTBÜCHSE	1

GRUPPO COMANDO TRASMISSIONE E FRENO  
DRIVE AND BRAKE CONTROL UNIT  
GROUPE COMMANDE TRANSMISSION ET FREIN  
STEUERUNGSGRUPPE FÜR GETRIEBE UND BREMSE

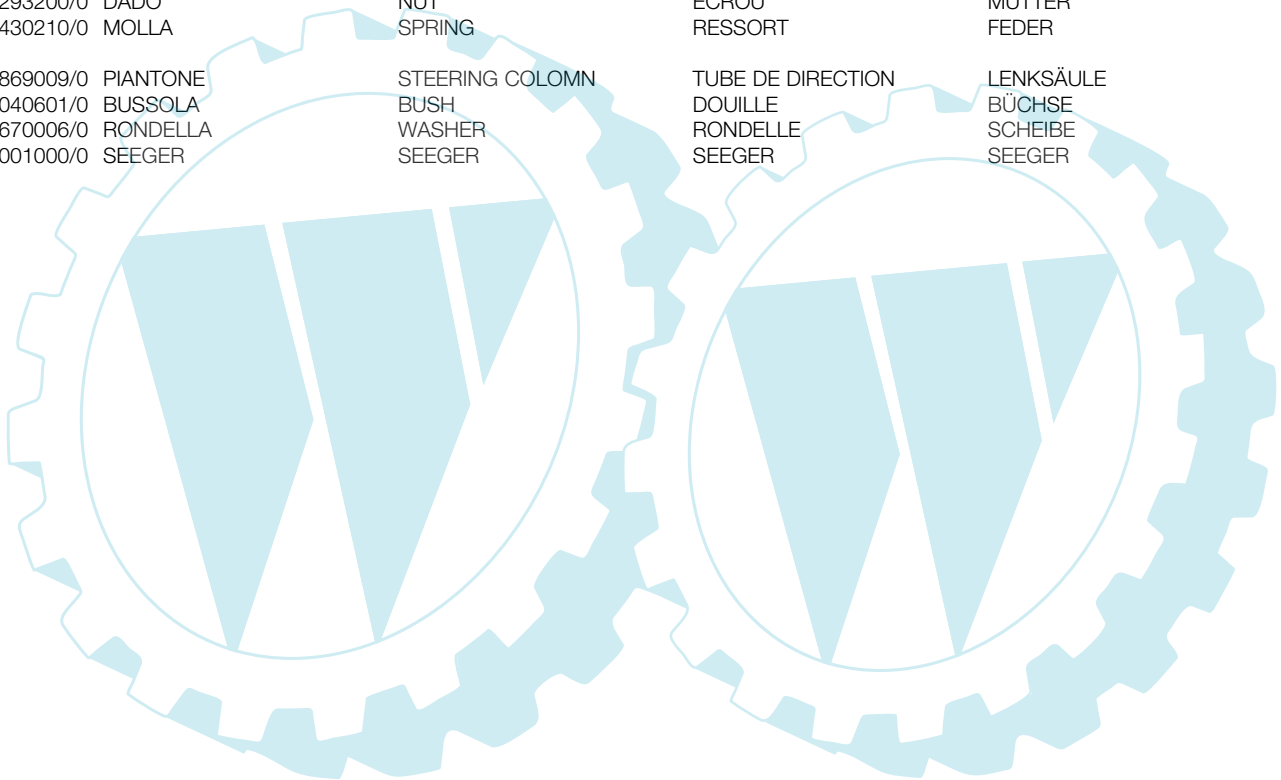
Mod. 1997 **004.1**



EDIPROM  
E 1403.04.hy

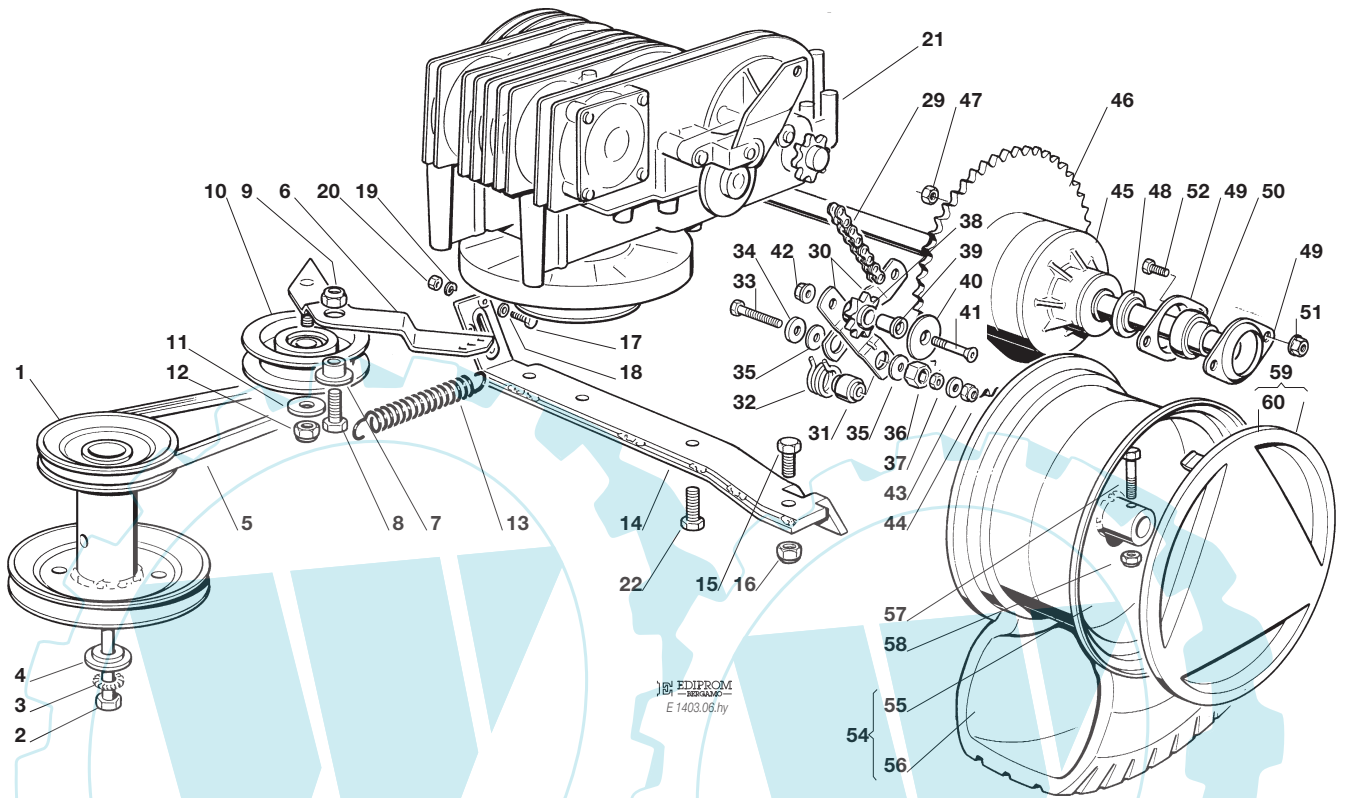
Pos. Nr.	Codice Kodex Code	Descrizione	Description	Description	Beschreibung	Q.tà Q.ty Q.té Menge
1	8250004/0	PEDALE AVANZAMENTO	DRIVE PEDAL	PEDALE TRANSMISSION	GETRIEBEPEDAL	1
2	25110265/0	COPRISTAFFA ANTERIORE	CLAMP COVER FRONT	COUVRE ETRIER AVANT	BRIDEDECKEL VORDE	1
3	25110266/0	COPRISTAFFA POSTERIORE	CLAMP COVER REAR	COUVRE ETRIER ARRIERE	BRIDEDECKEL HINTER	1
4	25034002/0	BRONZINA	BUSH	DOUILLE	BÜCHSE	2
5	82318145/0	LEVA	LEVER	LEVIER	HEBEL	1
6	22672153/0	RONDELLA	WASHER	RONDELLE	SCHEIBE	1
7	12609260/0	SEEGER	SEEGER	SEEGER	SEEGER	1
8	12792612/0	VITE	SCREW	VIS	SCHRAUBE	1
9	12583501/0	GROWER	GROWER	GROWER	GROWER	1
10	82820002/0	ASSIEME TIRANTE (11÷15)	ROD ASS.Y (11÷15)	ENS. BARRE (11÷15)	STANGE KOMPLETT (11÷15)	1
11	25598002/0	TIRANTE	ROD	BARRE	STANGE	1
12	12293200/0	DADO	NUT	ECROU	MUTTER	2
13	18399001/0	FORCELLA	FORK	FOURCHE	GABEL	1
14	18210201/0	CLIP	CLIP	CLIP	SPERRBOLZEN	1
15	22746602/0	SNODO	JOINT	JOINT	GELENK	1
16	82774217/0	STAFFA	BRACKET	ETRIER	BRIDE	1
17	12293201/0	DADO	NUT	ECROU	MUTTER	1
18	12793701/0	VITE	SCREW	VIS	SCHRAUBE	1
19	12293200/0	DADO	NUT	ECROU	MUTTER	1
31	82500006/0	PEDALE FRENO	BRAKE PEDAL	PEDALE DE FREIN	BREMSPEDAL	1
32	12001000/0	ANELLO ELASTICO	SNAP RING	ANNEAU RESSORT	SPRENGRING	1
33	25110267/0	COPRISTAFFA	CLAMP COVER	COUVRE ETRIER	BRIDEDECKEL	1
34	25547039/0	PIASTRINA DESTRA	PLATE RIGHT	PLAQUE DROITE	PLATTE RECHTE	1
35	25547041/0	PIASTRINA SINISTRA	PLATE LEFT	PLAQUE GAUCHE	PLATTE LINKE	1
36	12731601/0	VITE	SCREW	VIS	SCHRAUBE	6

Pos. Nr.	Codice Kodex Code	Descrizione	Description	Description	Beschreibung	Q.tà Q.ty Q.té Menge
37	25033017/1	ASTA	ROD	BARRE	STANGE	1
38	12521350/0	RONDELLA	WASHER	RONDELLE	SCHEIBE	2
39	12155000/0	DADO	NUT	ECROU	MUTTER	1
40	82394500/0	MANOPOLA FRENO	BRAKE KNOB	POIGNEE DE FREIN	BREMSEKNOPF	1
41	25840004/0	ASTA COMANDO FRENO	BRAKE CONTROL ROD	TIGE CONTROLE FREIN	BREMSE KONTROLLESATZ	1
42	12521350/0	RONDELLA	WASHER	RONDELLE	SCHEIBE	2
43	12155000/0	DADO	NUT	ECROU	MUTTER	2
44	82000359/0	LEVE FRENO	BRAKE LEVERS	LEVIERS DE FREIN	BREMSEHEBELN	1
45	25040614/0	BUSSOLA	BUSH	DOUILLE	BÜCHSE	2
46	12608900/0	SEEGER	SEEGER	SEEGER	SEEGER	2
47	25510040/0	PERNO	PIN	PIVOT	BOLZEN	1
48	25670011/0	RONDELLA	WASHER	RONDELLE	SCHEIBE	2
49	12155000/0	DADO	NUT	ECROU	MUTTER	1
50	25033016/0	ASTA	ROD	BARRE	STANGE	1
51	12521350/0	RONDELLA	WASHER	RONDELLE	SCHEIBE	2
52	25430231/0	MOLLA	SPRING	RESSORT	FEDER	1
53	12155000/0	DADO	NUT	ECROU	MUTTER	1
54	25510041/0	PERNO	PIN	PIVOT	BOLZEN	1
55	12155000/0	DADO	NUT	ECROU	MUTTER	1
56	12193200/0	DADO	NUT	ECROU	MUTTER	1
57	12583500/0	GROWER	GROWER	GROWER	GROWER	1
58	12293200/0	DADO	NUT	ECROU	MUTTER	1
59	25430210/0	MOLLA	SPRING	RESSORT	FEDER	1
71	82869009/0	PIANTONE	STEERING COLOMNN	TUBE DE DIRECTION	LENKSÄULE	1
72	25040601/0	BUSSOLA	BUSH	DOUILLE	BÜCHSE	2
73	25670006/0	RONDELLA	WASHER	RONDELLE	SCHEIBE	2
74	12001000/0	SEEGER	SEEGER	SEEGER	SEEGER	2



GRUPPO TRASMISSIONE  
 DRIVE UNIT  
 GROUPE TRANSMISSION  
 GETRIEBEGRUPPE

Mod. 1997 **006.1**



Pos. Nr.	Codice Kodex Code	Descrizione	Description	Description	Beschreibung	Q.tà Q.ty Q.té Menge
1	25601565/0	PULEGGIA MOTORE	ENGINE PULLEY	POULIE MOTEUR	RIEMENSCHLEIBE	1
2	12737310/0	VITE (12,5-15,5-16 HP B&S) (18 HP KOHLER)	SCREW (12,5-15,5-16 HP B&S) (18 HP KOHLER)	VIS (12,5-15,5-16 HP B&S) (18 HP KOHLER)	SCHRAUBE (12,5-15,5-16 HP B&S) (18 HP KOHLER)	1
	12692330/0	VITE (15 HP KOHLER)	SCREW (15 HP KOHLER)	VIS (15 HP KOHLER)	SCHRAUBE (15 HP KOHLER)	1
3	12543000/0	RONDELLA	WASHER	RONDELLE	SCHLEIBE	1
4	22671433/0	BOCCOLA	BUSHING	DOUILLE	BÜCHSE	1
5	35061426/0	CINGHIA	BELT	COURROIE	RIEMEN	1
6	82318113/0	LEVA GALOPPINO	TIGHTENER LEVER	LEVIER GALOPIN	LEIT ROLLE	1
7	25038002/0	BOCCOLA	BUSHING	DOUILLE	BÜCHSE	1
8	12793102/0	VITE	SCREW	VIS	SCHRAUBE	1
9	12155000/0	DADO	NUT	ECROU	MUTTER	1
10	25601554/0	PULEGGIA	PULLEY	POULIE	RIEMENSCHLEIBE	1
11	12523060/0	RONDELLA	WASHER	RONDELLE	SCHLEIBE	1
12	12155000/0	DADO	NUT	ECROU	MUTTER	1
13	25430219/0	MOLLA	SPRING	RESSORT	FEDER	1
14	82785095/0	SUPPORT	BRACKET	SUPPORT	SUPPORT	1
15	12793301/0	VITE	SCREW	VIS	SCHRAUBE	2
16	12155010/0	DADO	NUT	ECROU	MUTTER	2
17	12651010/0	VITE	SCREW	VIS	SCHRAUBE	2
18	12521300/0	RONDELLA	WASHER	RONDELLE	SCHLEIBE	2
19	12581100/0	GROWER	GROWER	GROWER	GROWER	2
20	12290791/0	DADO	NUT	ECROU	MUTTER	2
21*	18400900/0	GRUPPO IDROSTATICO	HYDROSTATIC UNIT	ENS. HYDROSTATIQUE	HYDROSTATIK GRUPPE	1
22	12735595/0	VITE	SCREW	VIS	SCHRAUBE	4
29	15189001/0	CATENA	CHAIN	CHAINE	KETTE	1

Pos. Nr.	Codice Kodex Code	Descrizione	Description	Description	Beschreibung	Q.tà Q.ty Q.té Menge
30	25318122/0	LEVA FLOTTANTE	FLOATING LEVER	LEVIER	HEBEL	2
31	25040607/0	BUSSOLA	BUSH	DOUILLE	BUCHSE	1
32	25430207/0	MOLLA	SPRING	RESSORT	FEDER	1
33	25943002/0	VITE	SCREW	VIS	SCHRAUBE	1
34	12523070/0	ROSETTA	WASHER	RONDELLE	SCHEIBE	1
35	22672152/0	RONDELLA ANTIFRIZIONE	WASHER	RONDELLE	SCHEIBE	2
36	25160006/0	DISTANZIALE	SPACER	ENTRETOISE	ENTFERNUNGSSTÜCK	1
37	12293200/0	DADO	NUT	ECROU	MUTTER	1
38	25570001/0	PIGNONE	PINION	PIGNON	RITZEL	2
39	25040608/0	BUSSOLA	BUSH	DOUILLE	BUCHSE	2
40	25670009/0	RONDELLA	WASHER	RONDELLE	SCHEIBE	2
41	12882020/0	VITE	SCREW	VIS	SCHRAUBE	2
42	12155000/0	DADO	NUT	ECROU	MUTTER	2
43	12524010/0	ROSETTA	WASHER	RONDELLE	SCHEIBE	1
44	12155000/0	DADO	NUT	ECROU	MUTTER	1
45*	25140200/2	DIFFERENZIALE	DIFFERENTIAL GEAR	DIFFERENTIEL	DIFFERENTIAL	1
46	16694600/1	CORONA	RING GEAR	COURONNE	KRANZ	1
47	12360354/1	DADO	NUT	ECROU	MUTTER	4
48	25160010/0	DISTANZIALE	SPACER	ENTRETOISE	ENTFERNUNGSSTÜCK	2
49	22207319/0	FLANGIA	FLANGE	BRIDE	FLANSCH	6
50	25122201/0	CUSCINETTO	BEARING	COUSSINET	KUGELLAGER	3
51	12293201/0	DADO	NUT	ECROU	MUTTER	4
52	12793301/0	VITE	SCREW	VIS	SCHRAUBE	2
54	82680001/1	RUOTA COMPLETA (TURF-SAVER)	WHEEL ASS.Y (TURF-SAVER)	ENSEMBLE ROUE (TURF-SAVER)	RAD (TURF-SAVER)	2
55	82000591/1	CERCHIO RUOTA POST.	REAR RIMM	BANDAGE ROUE POST.	HINTERRAD FELGER	2
56	25590001/0	PNEUMATICO (TURF-SAVER)	SHOE (TURF-SAVER)	PNEU (TURF-SAVER)	REIFEN (TURF-SAVER)	2
57	12691200/0	VITE	SCREW	VIS	SCHRAUBE	2
58	12155000/0	DADO	NUT	ECROU	MUTTER	2
59	82110251/1	COPRIRUOTA POST. (TC)	REAR WHEEL DECK (TC)	COUVRE ROUE POST. (TC)	HINTERRADDECKEL (TC)	2
	82110253/0	COPRIRUOTA POST. (TCP)	REAR WHEEL DECK (TCP)	COUVRE ROUE POST. (TCP)	HINTERRADDECKEL (TCP)	2
60	25430209/0	MOLLA AGGANCIO	SPRING	RESSORT	FEDER	8

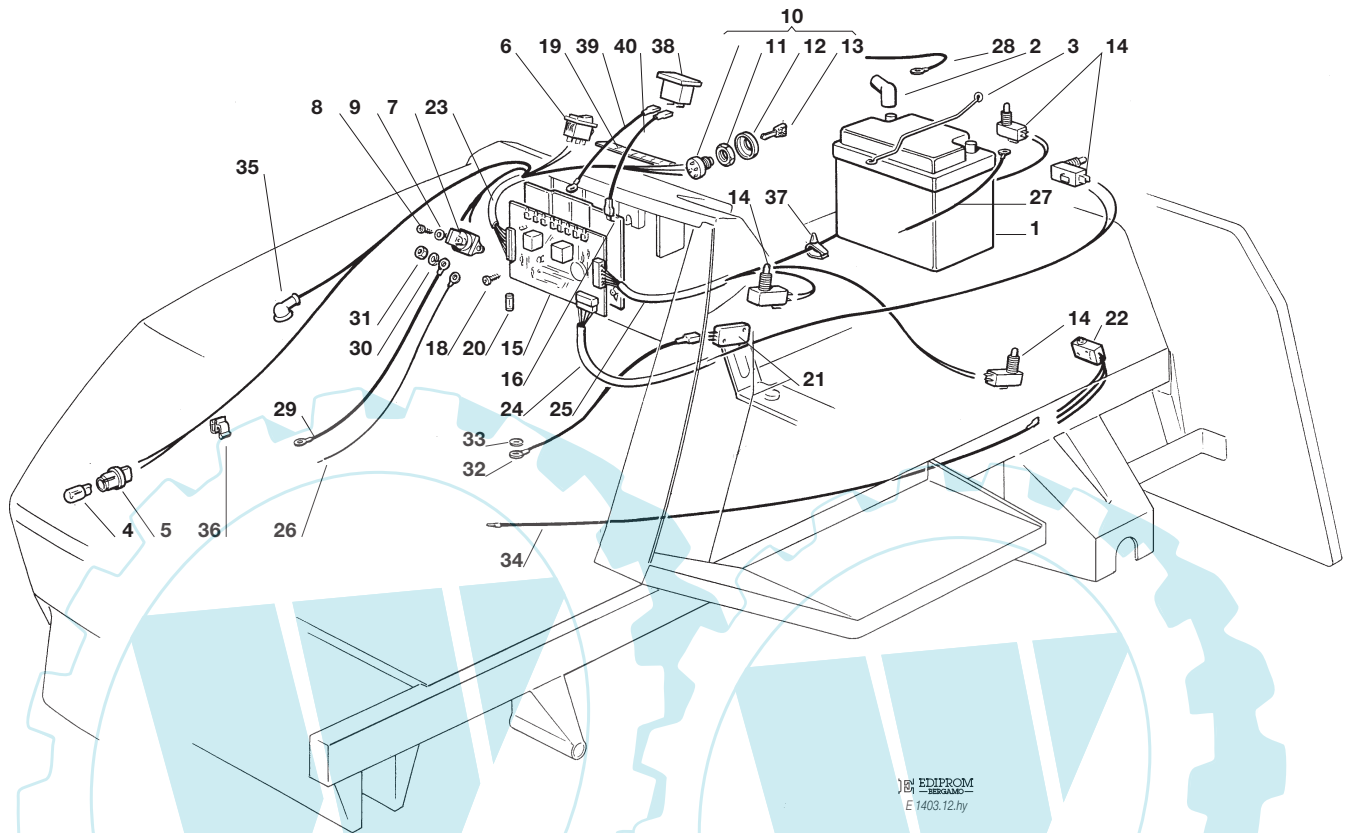
DOVENDO SOSTITUIRE IN GARANZIA LE PARTI CONTRASSEGNAE CON «\*», RIVOLGERSI AL COSTRUTTORE (TECUMSEH).

IF YOU HAVE TO CHANGE THE PIECES INDICATED WITH «\*» ON WARRANTY YOU ADRESS TO AFTER SALES SERVICE OF MANUFACTURER (TECUMSEH).  
SI VOUS DEVEZ SUBSTITUER LES PIÈCES INDIQUÉES AVEC «\*» SOUS GARANTIE VOUS DEVEZ VOUS ADRESSER AU SERVICE APRÈS VENTES DE LA MAISON CONSTRUCTRICE (TECUMSEH).

BITTE WENDEN SIE SICH BEI GARANTIERPARATUREN DER MIT «\*» GEKENNZEICHNETEN TEILE AN DIE KUNDENDIESNSTSTELLE DES HERSTELLER (TECUMSEH).

GRUPPO PARTI ELETTRICHE  
ELECTRICAL PARTS GROUP  
GROUPE PARTIES ELECTRIQUES  
ELETRISCHETEILE

Mod. 1997 **012.1**



Pos. Nr.	Codice Kodex Code	Descrizione	Description	Description	Beschreibung	Q.tà Q.ty Q.té Menge
1	18120000/0	BATTERIA 12 V - 20 Ah	BATTERY 12 V - 20 Ah	BATTERIE 12 V - 20 Ah	BATTERIE 12 V - 20 Ah	1
	18120001/0	BATTERIA 12 V - 24 Ah	BATTERY 12 V - 24 Ah	BATTERIE 12 V - 24 Ah	BATTERIE 12 V - 24 Ah	1
2	25600001/0	PROTEZIONE	PROTECTION	PROTECTION	SCHUTZ	1
3	25430200/0	MOLLA	SPRING	RESSORT	FEDER	2
4	18459100/0	LAMPADA	FARILAMP FOR LIGHTS	LAMPE POUR PHARES	LAMPENFASSUN	2
5	33500030/0	PORTALAMPADE	LAMP HOLDER	DOUILLE DE LAMPE	SCHEINWERFERLAMPE	2
6	18450060/0	INTERRUTTORE	FARILAMP SWITCH	INTERRUPTEUR PHARES	LICHTEN SCHALTER	1
7	18736110/0	SOLENOIDE	SOLENOID	SOLENOIDE	SOLENOID	1
8	12728510/0	VITE	SCREW	VIS	SCHRAUBE	2
9	12521320/0	RONDELLA	WASHER	RONDELLE	SCHEIBE	2
10	18450065/1	INTERRUTTORE AVVIAMENTO	STARTING SWITCH	INTERRUPTEUR DEMARRAGE	SCHALTER	1
11	18400861/0	GHIERA	SCREWED RING	EMBOUT	NUTMUTTER	1
12	18565351/0	PROTEZIONE GHIERA	SCREWED RING PROTECTION	PROTECTION EMBOUT	NUTMUTTER SCHUTZ	1
13	18210016/0	CHIAVE AVVIAMENTO	STARTING KEY	CLEF A DEMARRAGE	SCHLÜSSEL FÜR START	1
14	19410603/1	MICRO INTERRUTTORE	MICRO	MICRO	MIKRO	4
15	***	SCHEDA ELETTRONICA	ELECTRONIC CARD	CARTE ELECTRONIQUE	ELEKTRONISCHE KARTE	1
16	25600007/0	PROTEZIONE SCHEDA (TC)	CARD PROTECTION (TC)	PROTECTION CARTE (TC)	KARTESCHUTZ (TC)	1
16	25600009/0	PROTEZIONE SCHEDA (TCP)	CARD PROTECTION (TCP)	PROTECTION CARTE (TCP)	KARTESCHUTZ (TCP)	1
18	12735105/0	VITE	SCREW	VIS	SCHRAUBE	3
19	25420000/1	MEMBRANA (6 FUNZ.)	CHECK CONTROLL (6 FUNCTIONS)	PANNEAU DE CONTROLE (6 INDICATIONS)	KONTROLLTAFEL (6 ANGABEN)	1
	25420001/1	MEMBRANA (8 FUNZ.)	CHECK CONTROLL (8 FUNCTIONS)	PANNEAU DE CONTROLE (8 INDICATIONS)	KONTROLLTAFEL (8 ANGABEN)	1
20	33340033/0	FUSIBILE 6,3 Amp. T	FUSE 6.3 Amp. T	FUSIBLE 6,3 Amp. T	SICHERUNG 6,3 Amp. T	1
21	19410609/0	INTERRUT. POS. FOLLE	NEUTRAL SWITCH	INTERRUPT. POINT MORT	LEERLAUF SCHALTER	1



Pos. Nr.	Codice Kodex Code	Descrizione	Description	Description	Beschreibung	Q.tà Q.ty Q.té Menge
22	25425000/1	MICRO SACCO PIENO	FULL GRASSCATCHER MICROSWITCH	MICRO BAC PLEIN	VOLLKORB VORRICHTUNG	1
23	82040024/0 82040035/0 82040022/0 82040034/0 82040027/0	ASS. CABLAGGIO 12,5 HP B&S 16 HP B&S 15 HP KOHLER 15,5HP B&S 18 HP KOHLER	CABLES ASS.Y 12,5 HP B&S 16 HP B&S 15 HP KOHLER 15,5HP B&S 18 HP KOHLER	ENS. CABLAGES 12,5 HP B&S 16 HP B&S 15 HP KOHLER 15,5HP B&S 18 HP KOHLER	KABELSATZ 12,5 HP B&S 16 HP B&S 15 HP KOHLER 15,5HP B&S 18 HP KOHLER	1
24	82040004/1 82040005/1	ASS. CABLAGGIO 12,5 - 15,5 HP B&S - 15 - 18 HP KOHLER 16 HP B&S	CABLES ASS.Y 12,5 - 15,5 HP B&S - 15 -18 HP KOHLER 16 HP B&S	ENS. CABLAGES 12,5 - 15,5 HP B&S - 15 -18 HP KOHLER 16 HP B&S	KABELSATZ 12,5 - 15,5 HP B&S - 15 -18 HP KOHLER 16 HP B&S	1
25	***	ASS. CABLAGGIO	CABLES ASS.Y	ENS. CABLAGES	KABELSATZ	1
26	25065003/0 25065008/0	CAVO RICARICA 12,5 - 15,5 - 16 HP B&S 18 HP KOHLER	CABLE 12,5 - 15,5 - 16 HP B&S 18 HP KOHLER	CABLES 12,5 - 15,5 - 16 HP B&S 18 HP KOHLER	KABEL 12,5 - 15,5 - 16 HP B&S 18 HP KOHLER	1
27	25065004/0	CAVO MASSA BATTERIA	CABLE	CABLES	KABEL	1
28	25065001/0	CAVO BATT. SOLENOIDE	CABLE	CABLES	KABEL	1
29	25065002/0	CAVO SOLENOIDE MOT.	CABLE	CABLES	KABEL	1
30	12583500/0	GROWER	GROWER	GROWER	GROWER	2
31	12360352/0	DADO	NUT	ECROU	MUTTER	2
32	25065015/0	CAVO MASSA	CABLE	CABLES	KABEL	1
33	12540260/0	RONDELLA	WASHER	RONDELLE	SCHEIBE	1
34	***	CAVO COLL. MICRO	CABLE	CABLES	KABEL	1
35	18564861/0	CAPPUCCIO PROTEZIONE	PROTECTION	PROTECTION	SCHUTZ	1
36	33320505/0	FERMACAVO	FAIRLED	FIXATION CABLE	KABELBEFESTIGUNG	1
37	33320506/0	FERMACAVO	FAIRLED	FIXATION CABLE	KABELBEFESTIGUNG	2
38	18230000/0	CONTAORE (TCP)	HOUR COUNTER (TCP)	COMPTE-HEURS (TCP)	BETRIEBESSTUNDENZÄHLER (TCP)	1
39	25065009/0	CAVO (TCP)	CABLE (TCP)	CABLES (TCP)	KABEL (TCP)	1
40	25065010/1	CAVO (TCP)	CABLE (TCP)	CABLES (TCP)	KABEL (TCP)	1

\*\*\* PER I PARTICOLARI CONTRASSEGNA TI, VERIFICARE L'ALLESTIMENTO DEL TRATTORINO:  
 FOR THE MARKED ITEMS, PLEASE CHECK TRACTOR'S VERSION:  
 POUR LES PIÈCES MARQUÉES, VÉRIFIEZ LA VERSION DE L'AUTOPORTEE:  
 FÜR KENNENGEZEICHNETEN TEILE, BITTE PRÜFEN SIE DER AUFSITZMÄHERAUSSTATTUNG:

a) Motore 12,5 - 15,5 HP B&S, 15 - 18 HP Kohler + Interruttore posizione folle (21)  
 Engine 12,5 - 15,5 HP B&S, 15 - 18 HP Kohler + Neutral switch (21)  
 Moteur 12,5 - 15,5 HP B&S, 15 - 18 HP Kohler + Interrupteur point mort (21)  
 Motor 12,5 - 15,5 HP B&S, 15 - 18 HP Kohler + Leerlaufstellung Schalter (21)

15	25722405/0	SCHEDA ELETTRONICA 6 FUNZIONI	ELECTRONIC CARD 6 FUNCTIONS	CARTE ELECTRONIQUE 6 INDICAT	ELEKTRONISCHE KARTE 6 ANGABEN	1
25	82040002/1	ASS. CABLAGGIO	CABLES ASS.Y	ENS. CABLAGES	KABELSATZ	1

b) Motore 12,5 - 15,5 HP B&S, 15 - 18 HP Kohler + Interruttore posizione folle (21) + Micro sacco pieno (22)  
 Engine 12,5 - 15,5 HP B&S, 15 - 18 HP Kohler + Neutral switch (21) + Full grasscatcher micriswitch (22)  
 Moteur 12,5 - 15,5 HP B&S, 15 - 18 HP Kohler + Interrupteur point mort (21) + Micro bac plein (22)  
 Motor 12,5 - 15,5 HP B&S, 15 - 18 HP Kohler + Leerlaufstellung Schalter (21) + Vollkorb Vorrichtung (22)

15	25722406/0	SCHEDA ELETTRONICA 6 FUNZIONI	ELECTRONIC CARD 6 FUNCTIONS	CARTE ELECTRONIQUE 6 INDICAT	ELEKTRONISCHE KARTE 6 ANGABEN	1
25	82040029/1	ASS. CABLAGGIO	CABLES ASS.Y	ENS. CABLAGES	KABELSATZ	1
34	25065011/0	CAVO COLL. MICRO	CABLE	CABLES	KABEL	1

c) Motore 16 HP B&S + Interruttore posizione folle (21) + Micro sacco pieno (22)  
 Engine 16 HP B&S + Neutral switch (21) + Full grasscatcher micriswitch (22)  
 Moteur 16 HP B&S + Interrupteur point mort (21) + Micro bac plein (22)  
 Motor 16 HP B&S + Leerlaufstellung Schalter (21) + Vollkorb Vorrichtung (22)

15	25722407/0	SCHEDA ELETTRONICA 8 FUNZIONI	ELECTRONIC CARD 8 FUNCTIONS	CARTE ELECTRONIQUE 8 INDICAT	ELEKTRONISCHE KARTE 8 ANGABEN	1
25	82040028/1	ASS. CABLAGGIO	CABLES ASS.Y	ENS. CABLAGES	KABELSATZ	1
34	25065011/0	CAVO COLL. MICRO	CABLE	CABLES	KABEL	1